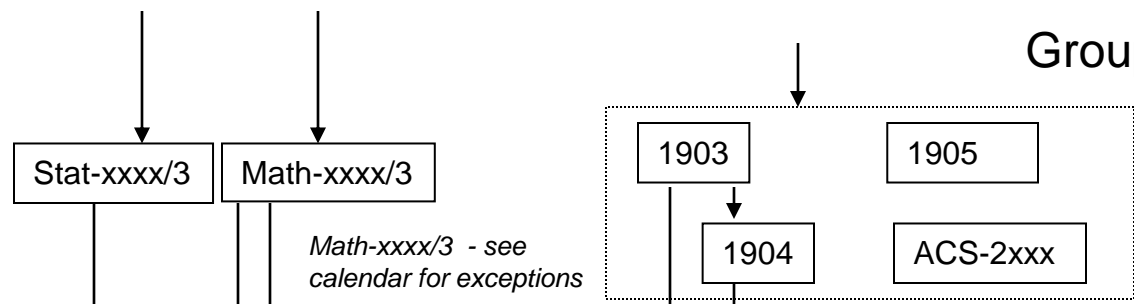


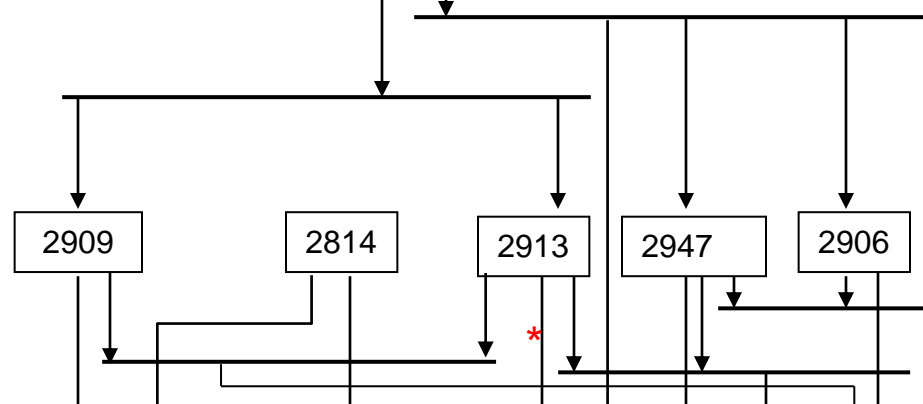
Group I requirements

1st year



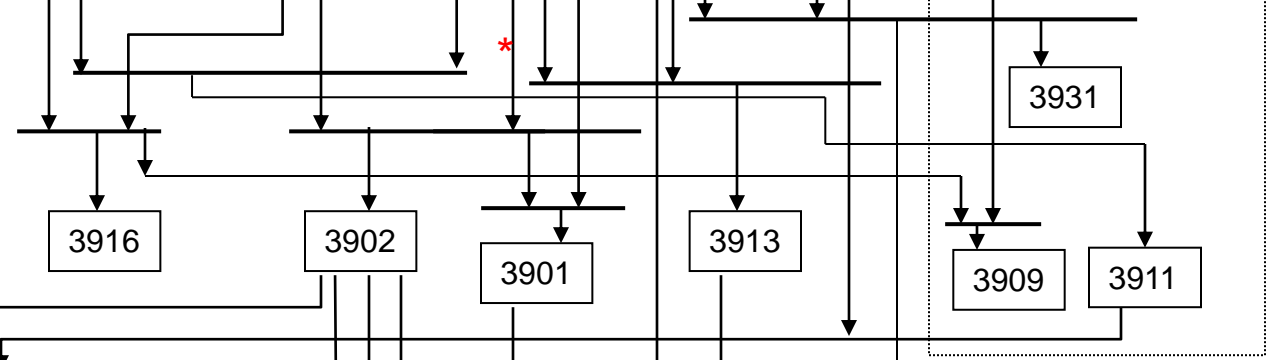
The programming requirement is met with one of these selections:
 1903 & 1904, or
 1905 & 2000-level or above elective
 - 1905 is not offered this year

2nd year



* 2913 prereq for 3902 planned for removal in 2023-24. See Chair for waiver if necessary.

3rd year



4th year

